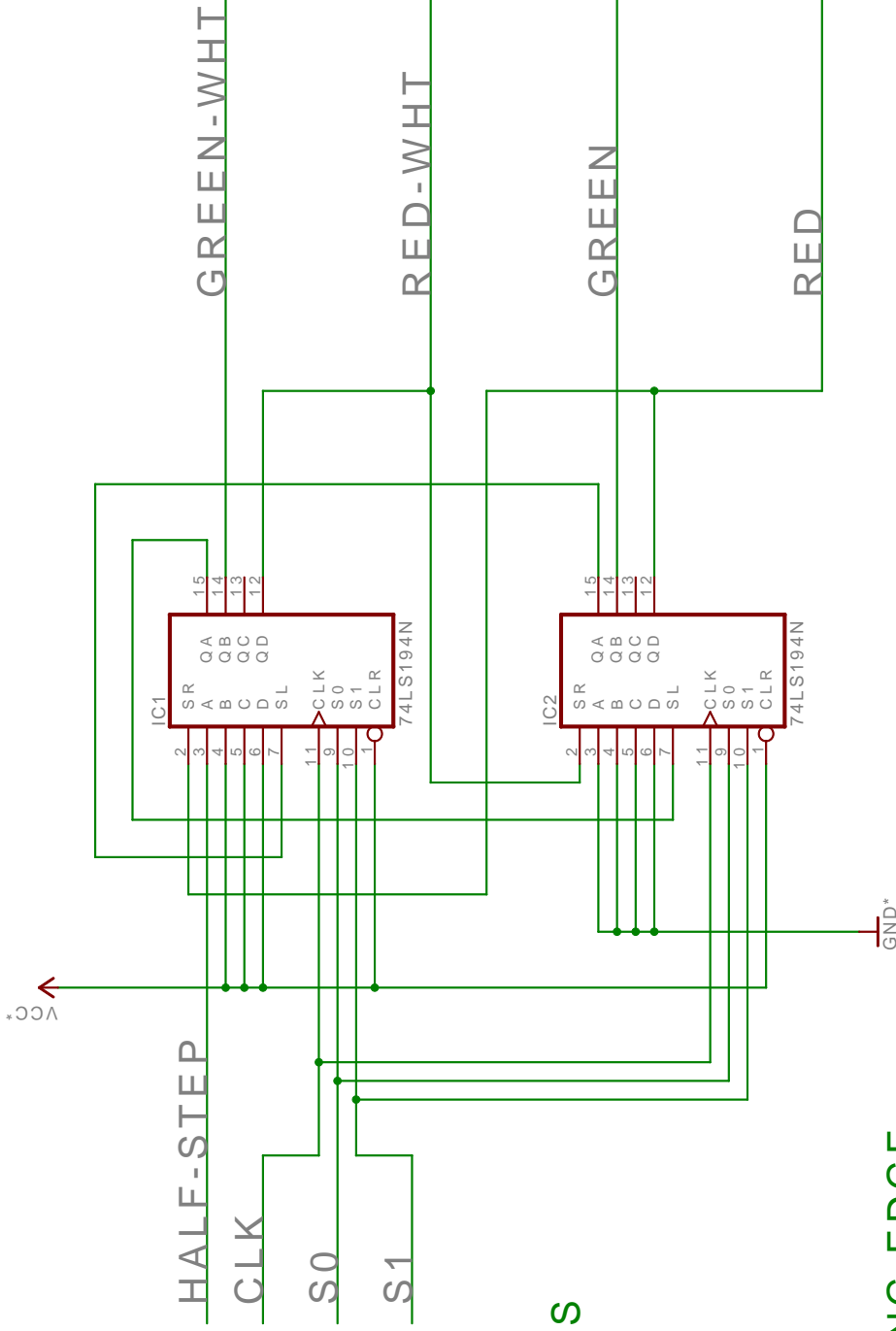


# HALF STEP SEQUENCE GENERATOR



## CONTROL SIGNALS

S0,S1	RESULT
0 0	HOLD
0 1	SHIFT RIGHT
1 0	SHIFT LEFT
1 1	PRESET

CLOCKS ON LEADING EDGE

TO PROGRAM FULL STEP MODE  
SET THE HALF-STEP LINE HIGH  
AND DO A PRESET